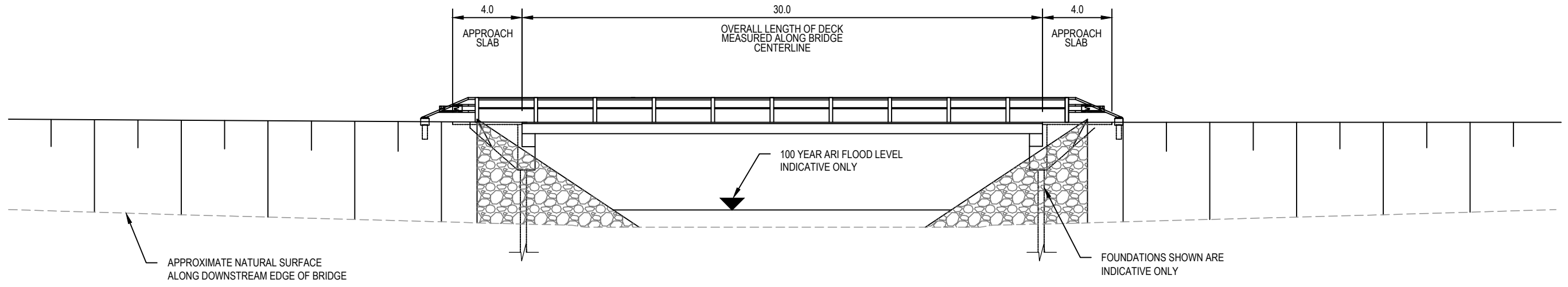
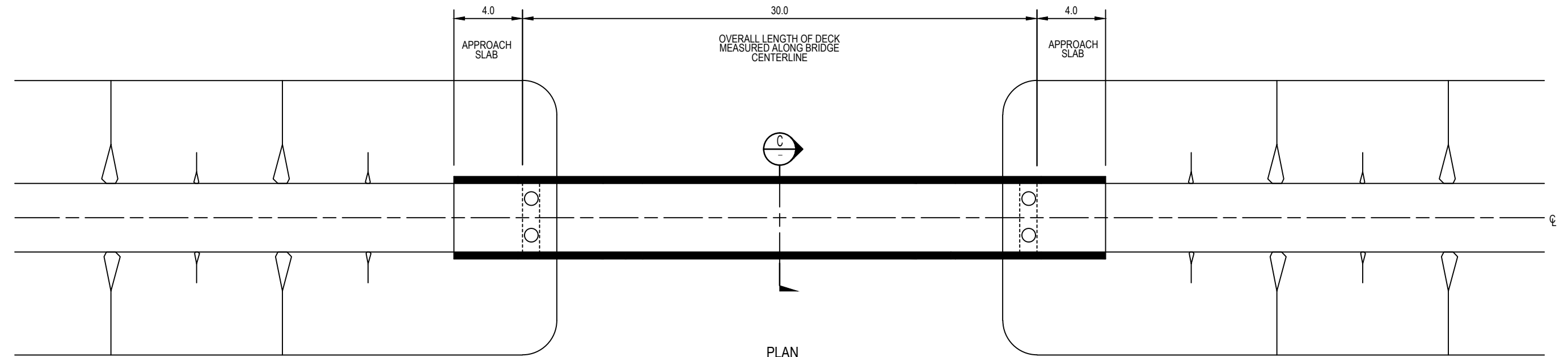


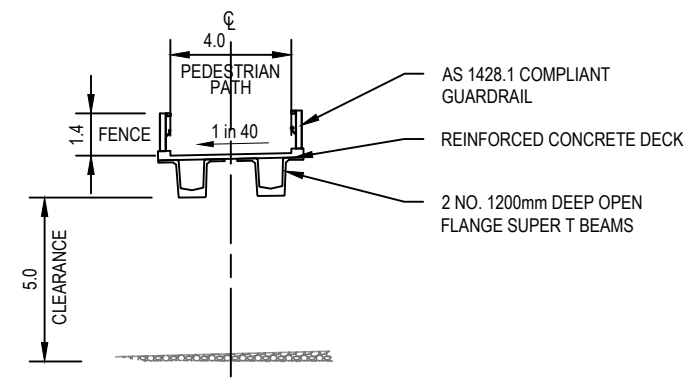
DATE PLOTTED: 3 July 2020 6:13 PM BY: JAMES MCNAMARA



ELEVATION
SCALE 1 : 250



PLAN
SCALE 1 : 250



SECTION B
SCALE 1:250

XREFS: Y:\70524-CI-DG-2006-2010
CAD File: P:\20515 - Tealton Precast Structures\Drawings\191096-CI-DG-2001-2008.dwg

Rev	Date	Description	Des.	Verif.	Appd.
2	03/07/2020	PRELIMINARY ISSUE	JM	JT	
1	26/03/2020	PRELIMINARY ISSUE	JM		

© Cardno Limited
All Rights Reserved.
This document is produced by Cardno Limited solely for the benefit of and use by the client in accordance with the terms of the retainer. Cardno Limited does not and shall not assume any responsibility or liability whatsoever to any third party arising out of any use or reliance by third party on the content of this document.

Cardno
Shaping the Future

Cardno Victoria Pty Ltd | ABN 47 106 610 913
Level 4, 501 Swanston Street
Melbourne VIC 3000
Tel: 03 8415 7777 Fax: 03 8415 7788
Web: www.cardno.com.au

Drawn	JM	Date	26/03/2020
Checked		Date	
Designed	JM	Date	
Verified		Date	
Approved		Date	

Client	MELTON CITY COUNCIL
Project	BENCH MARK INFRASTRUCTURE COSTING
Title	BRIDGE TYPE BD06, BD12, BD13, BD14 PEDESTRIAN 30m LONG SUPER T BRIDGE INTERIM

Status	PRELIMINARY NOT TO BE USED FOR CONSTRUCTION PURPOSES	
Scale	AS SHOWN	Size A3
Drawing Number	V191096-CI-DG-2003	
Revision	2	