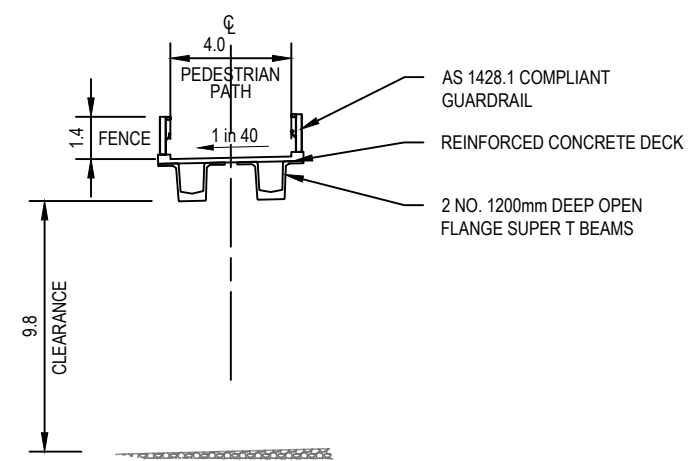
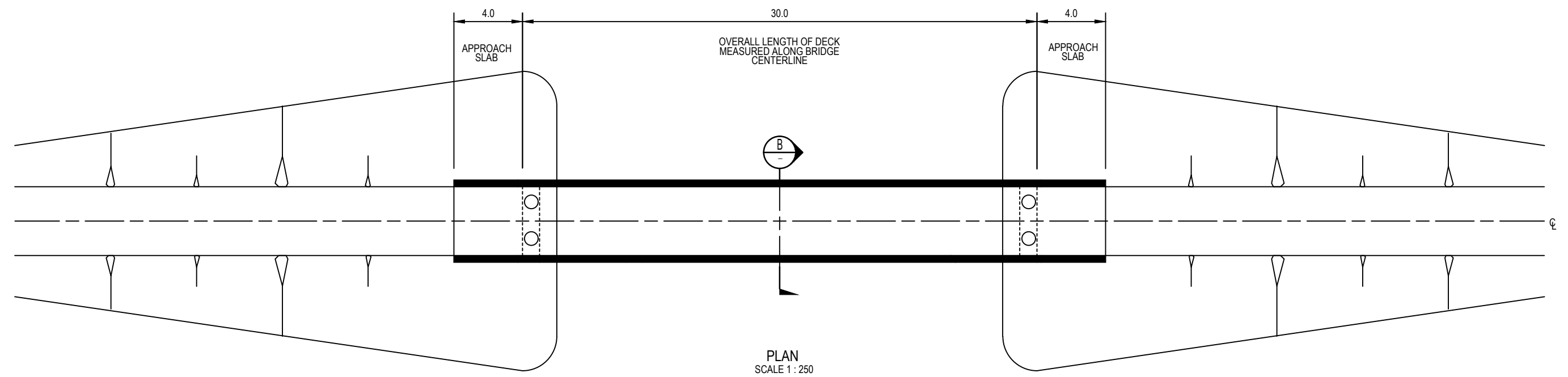
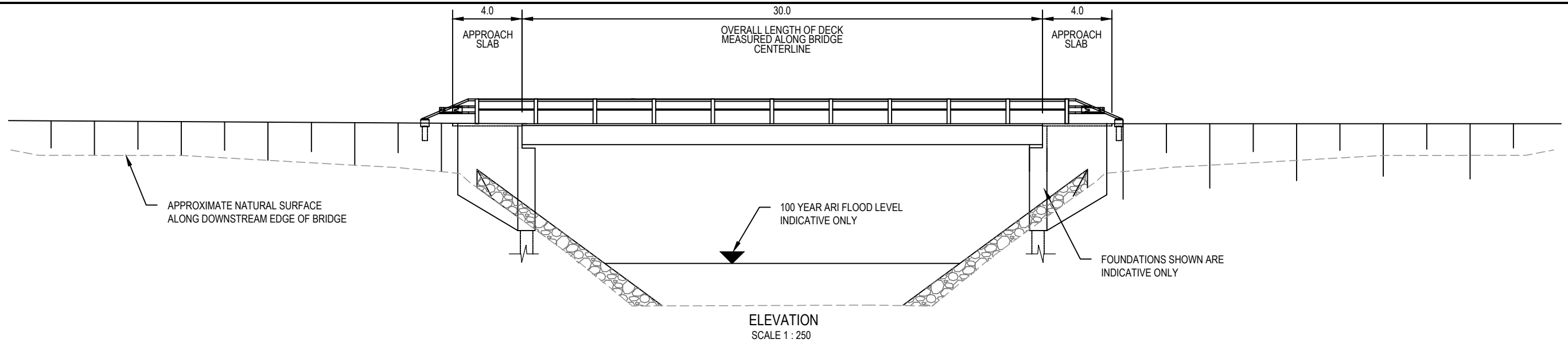


DATE PLOTTED: 3 July 2020 6:13 PM BY: JAMES MCHAMARA



XREFS: Y170524-CI-DG-2000-2010  
CAD File: P:20515 - Telem Project Structure Plan Review01 Building Structures\Drawings\191096-CI-DG-2001-2008.dwg

Rev	Date	Description	Des.	Verif.	Appd.
2	03/07/2020	PRELIMINARY ISSUE	JM		JT
1	26/03/2020	PRELIMINARY ISSUE	JM		

© Cardno Limited  
All Rights Reserved.  
This document is produced by Cardno Limited solely for the benefit of and use by the client in accordance with the terms of the retainer. Cardno Limited does not and shall not assume any responsibility or liability whatsoever to any third party arising out of any use or reliance by third party on the content of this document.

Cardno Victoria Pty Ltd | ABN 47 106 610 913  
Level 4, 501 Swanston Street  
Melbourne VIC 3000  
Tel: 03 8415 7777 Fax: 03 8415 7788  
Web: www.cardno.com.au

Drawn	JM	Date	26/03/2020
Checked		Date	
Designed	JM	Date	
Verified		Date	
Approved		Date	

Client	MELTON CITY COUNCIL
Project	BENCH MARK INFRASTRUCTURE COSTING
Title	BRIDGE TYPE BD04 AND BD05 PEDESTRIAN 30m LONG SUPER T BRIDGE INTERIM

Status	<b>PRELIMINARY</b> NOT TO BE USED FOR CONSTRUCTION PURPOSES		
Drawing Number	Scale AS SHOWN	Size A3	Revision 2
V191096-CI-DG-2002			